

## Quick Installation Guide

Wireless Bridge



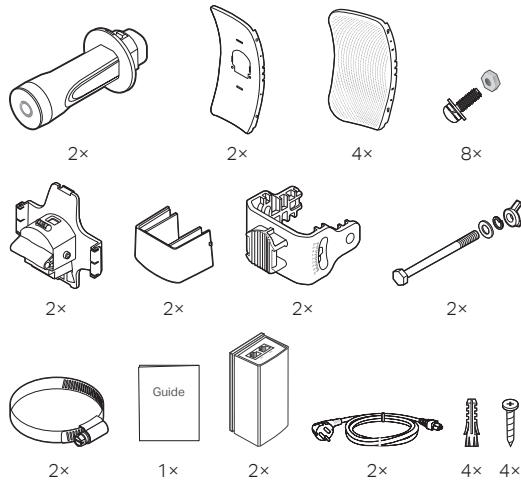
Scan for  
Bridge AP Start Guide

**TERMS OF USE:** The Omada Wireless Bridge series must be installed by a certified professional. Installers must abide by local rules and regulations in terms of legal frequency channels, output power, and Dynamic Frequency Selection (DFS) requirements.  
**Note:** Images may differ from your actual product.

©2026 TP-Link 7100003083 REV1.0.2

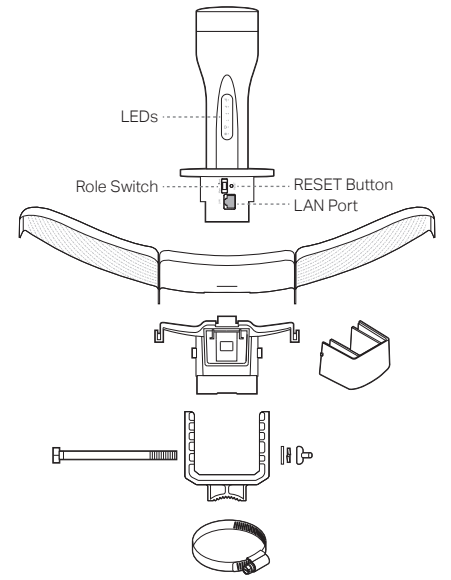
## Package Contents

The kit contains a Main AP and a Client AP, which can be distinguished by the role switch on the AP.



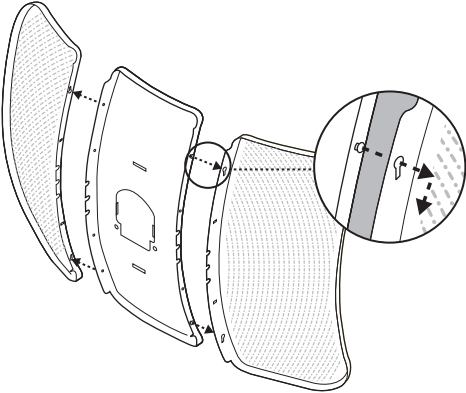
**Note:** Accessories may vary by region and model.

## Hardware Overview

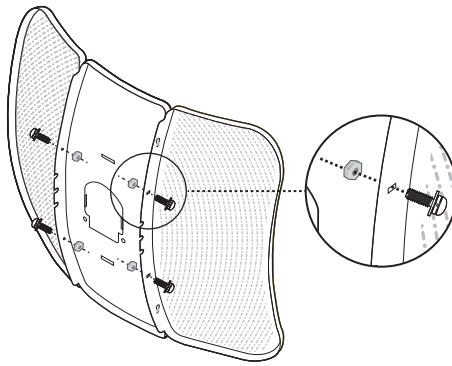


## Installation

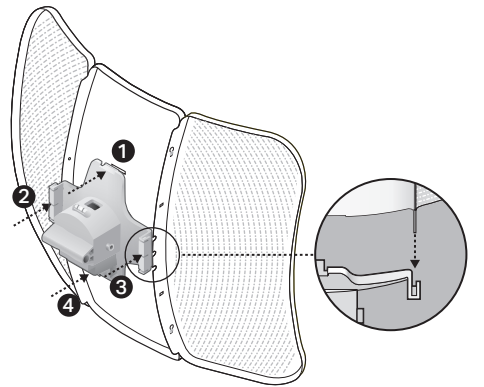
1



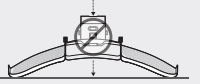
2



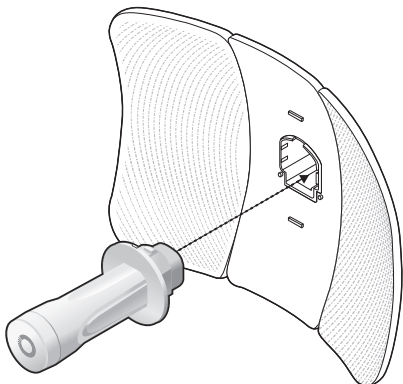
3



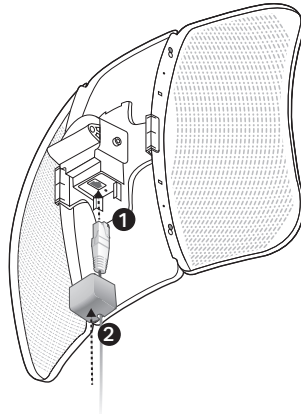
**WARNING:** To avoid damage, do not place the panels on a flat surface or push down on it.



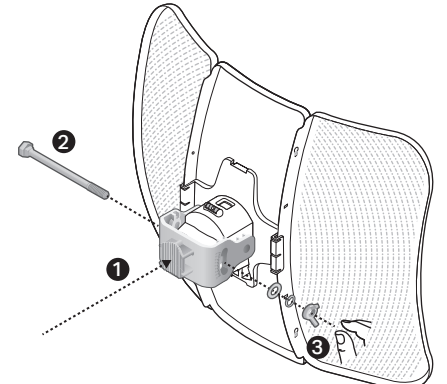
4



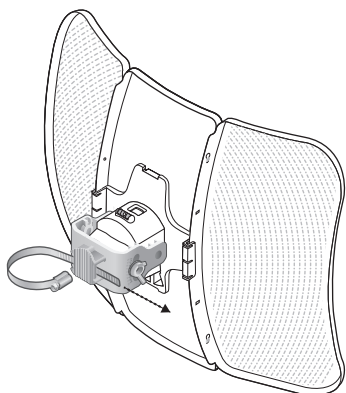
5



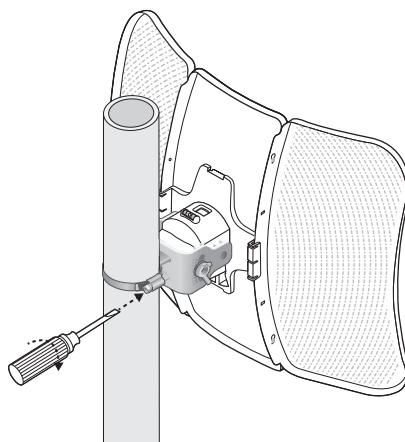
6



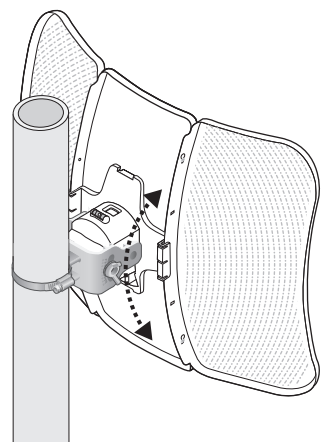
7



8

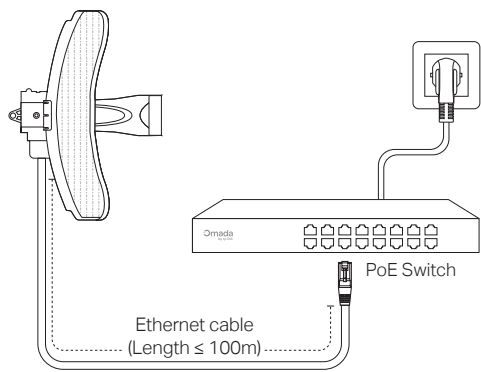


9

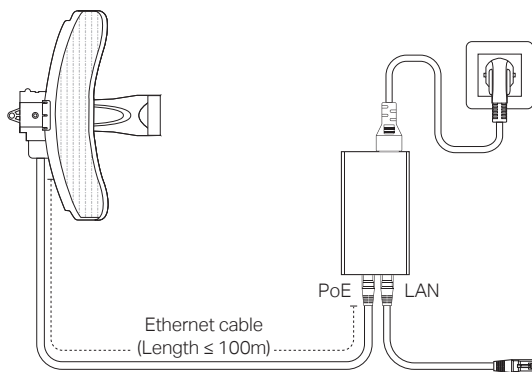


## Power On

### Option 1: Via PoE Switch

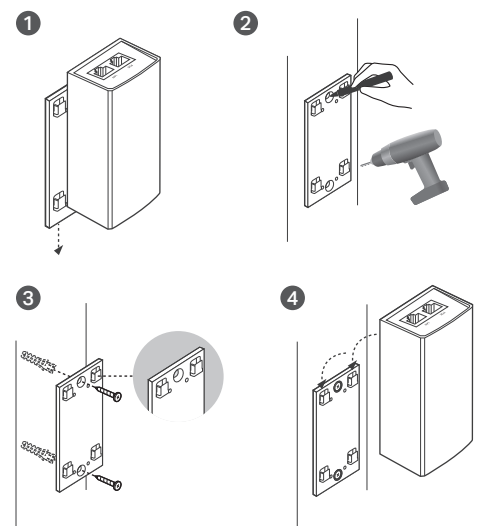


### Option 2: Via Passive PoE Adapter



### (Optional) Mount the PoE Adapter

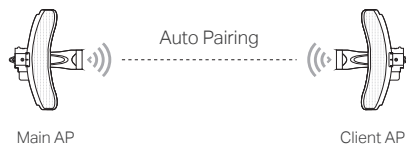
Note: This adapter shall be installed at a height of less than 2 meters.



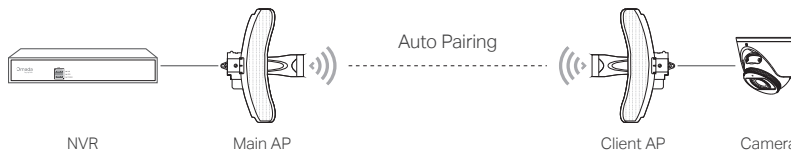
Note: For lightning & ESD protection, use the Shielded CAT5e (or above) cable with a ground wire.

## Auto Pairing

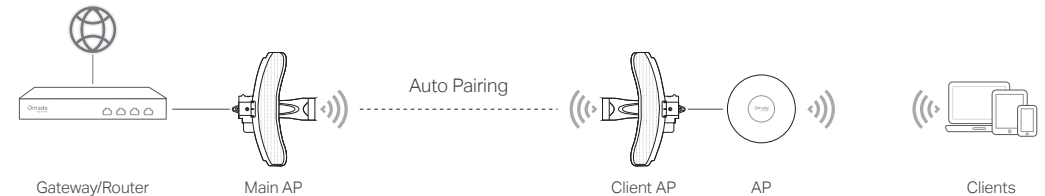
The Main AP and Client AP in the same kit will automatically form a bridge network after powering on.



### Scenario 1: Remote Camera Monitoring



### Scenario 2: Wi-Fi Extension



#### Notes:

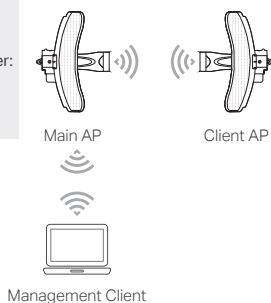
1. Check the role switch to ensure you have connected the Main AP and Client AP in the network correctly. You can toggle the role switch to change the AP's role if needed.
2. The default SSID on the product is only for device access and management. If you need an SSID to access the internet and service networks, refer to the **Network Management** section to set up the AP.
3. In a network without a DHCP Server, Bridge APs will use the following DHCP fallback IP addresses:  
Main AP: 192.168.0.254  
Client AP: 192.168.0.253

## Network Management

### Option 1: Standalone Mode

Configure and manage APs through the Main AP.

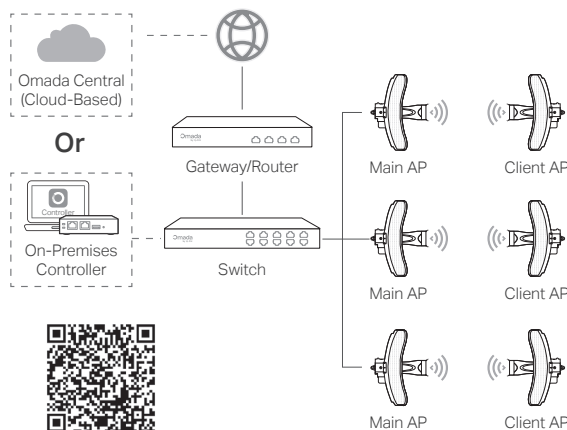
Default SSID:  
Omada\_XGHz\_XXXXXX  
(e.g., Omada\_5GHz\_1A2B3C)  
Fallback IP If No DHCP Server:  
192.168.0.254  
Default Access:  
<https://omadaeap.net>



Scan for Standalone Start Guide

### Option 2: Controller Mode

Configure and manage APs (and other Omada devices) centrally with an Omada Controller.



Scan for Controller Start Guide

### Omada App

With the TP-Link Omada app, you can access and manage your Omada devices at a local site or remotely with a tap of your phone.



Scan for Omada App

### More Configurations

For more configurations, refer to the User Guides of the Omada Controller and Omada APs at: <https://support.omadanetworks.com/document/>



## Safety Information

- Keep the device away from fire or hot environments. DO NOT immerse in water or any other liquid.
- Do not attempt to disassemble, repair, or modify the device. If you need service, please contact us.
- Do not use the device where wireless devices are not allowed.
- Do not use any other chargers than those recommended.
- Do not use a damaged charger or USB cable to charge the device.
- The adapter shall be installed near the equipment and shall be easily accessible.
- The adapter should be used indoors where the ambient temperature is lower than or equal to 40 °C.
- Plug the adapter into a wall outlet with an earthing connection through the power supply cord.
- The socket-outlet shall be installed near the equipment and shall be easily accessible.
- Use only power supplies which are provided by manufacturer and in the original packing of this product. If you have any questions, please don't hesitate to contact us.
- Use only power supplies listed in the user instructions. Refer to the User Manual on the product support page.

TP-Link hereby declares that the Bridge AP is in compliance with the essential requirements and other relevant provisions of directives 2014/53/EU, 2009/125/EC, 2011/65/EU, and (EU)2015/863. The original EU Declaration of Conformity may be found at <https://www.tp-link.com/en/support/ce/>.

TP-Link hereby declares that the Bridge AP is in compliance with the essential requirements and other relevant provisions of the Radio Equipment Regulations 2017. The original UK Declaration of Conformity may be found at <https://www.tp-link.com/support/ukca/>  
**Attention:** In EU member states, EFTA countries and Northern Ireland, the operation in the frequency range 5150MHz-5350MHz is only permitted indoors.

**Attention:** In Great Britain, the operation in the frequency range 5150MHz - 5350MHz is only permitted indoors.

For the AP Controller, go to the **Devices** page and select the desired AP to specify the channel.

For the web browser, go to **Wireless > Wireless Settings** to specify the channel.

!	AT	BE	BG	CH	CY	CZ	DE	DK
	EE	EL	ES	FI	FR	HR	HU	IE
!	IS	IT	LI	LT	LU	LV	MT	NL
	NO	PL	PT	RO	SE	SI	SK	UK(NI)

!	UK
---	----

## More Resources

<b>Main Site</b> <a href="https://www.omadanetworks.com/">https://www.omadanetworks.com/</a>
<b>Video Center</b> <a href="https://support.omadanetworks.com/video/">https://support.omadanetworks.com/video/</a>
<b>Documents</b> <a href="https://support.omadanetworks.com/document/">https://support.omadanetworks.com/document/</a>
<b>Product Support</b> <a href="https://support.omadanetworks.com/product/">https://support.omadanetworks.com/product/</a>
<b>Technical Support</b> <a href="https://support.omadanetworks.com/contact-support/">https://support.omadanetworks.com/contact-support/</a>

## Warranty

For details on the warranty period, policy, and procedures, visit <https://support.omadanetworks.com/warranty-services/>.

## Support

For technical support, user guides, and other information, please visit <https://support.omadanetworks.com/>, or simply scan the QR code.

